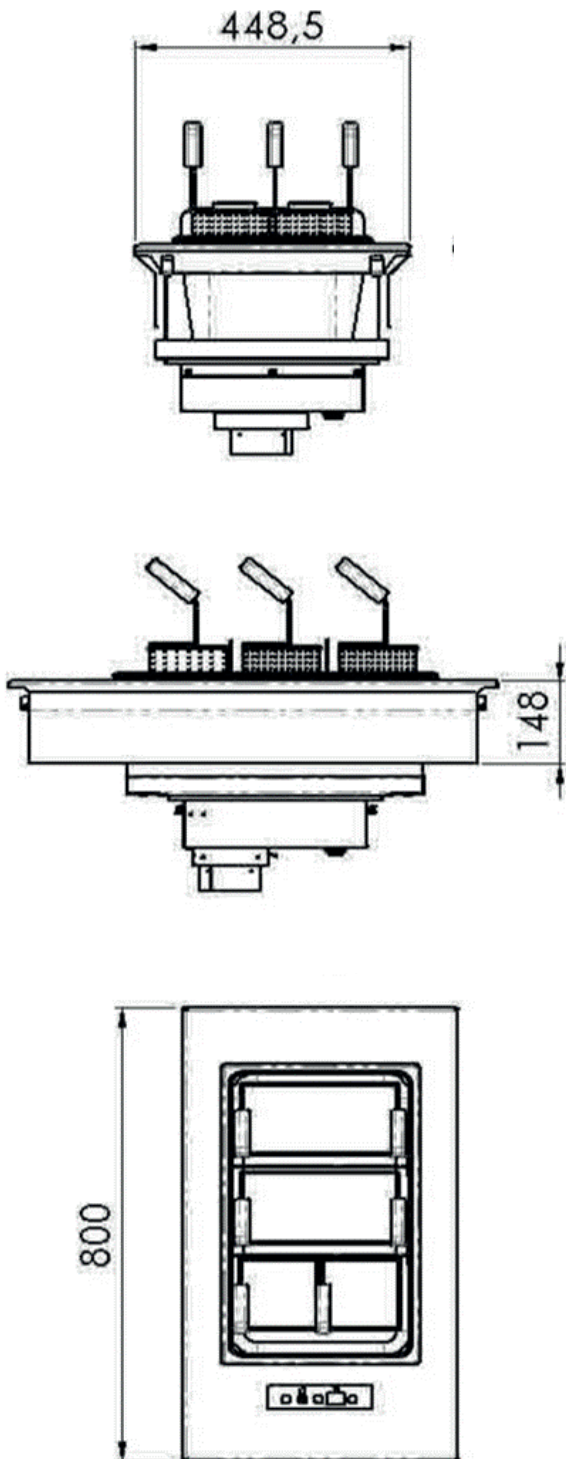


Main Features

- 3.5kW induction device heat source.
- It has a voltage range of 230V, current of 13A, and frequency range of 50/60 Hz.
- The glass surface area is 320x320 mm and the temperature range is between a minimum of 30°C and a maximum of 250°C.
- The cooking area is measured at 300x503 mm. The weight of the device is 17 kg.
- It has a plug compatible with British or European standards, with a length of 200 cm.
- Its body is made of AISI 304 stainless steel with a thickness of 2 mm.
- 2 x 1/6 GN, 2 x 1/3 GN pasta cooker baskets with wooden handle.
- The dimensions of the device are 450x800x150 mm. These features indicate that the device has a powerful, durable, and practical structure.

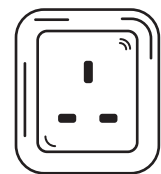


Technical Information

Dimensions	: 450X800X150 mm
Watts	: 3.5kW
Voltage	: 230V - 13A - 50/60 Hz
Temperature	: Min: 30°C Max 250°C
Cooking Area	: 300x503 mm
Weight	: 17 kg
Well	: AISI 304 Stainless Steel
Body	: AISI 304 Stainless Steel, Thickness 2 mm
Plug Type	: UK or EU
Cable Length	: 1500 mm



F



G

