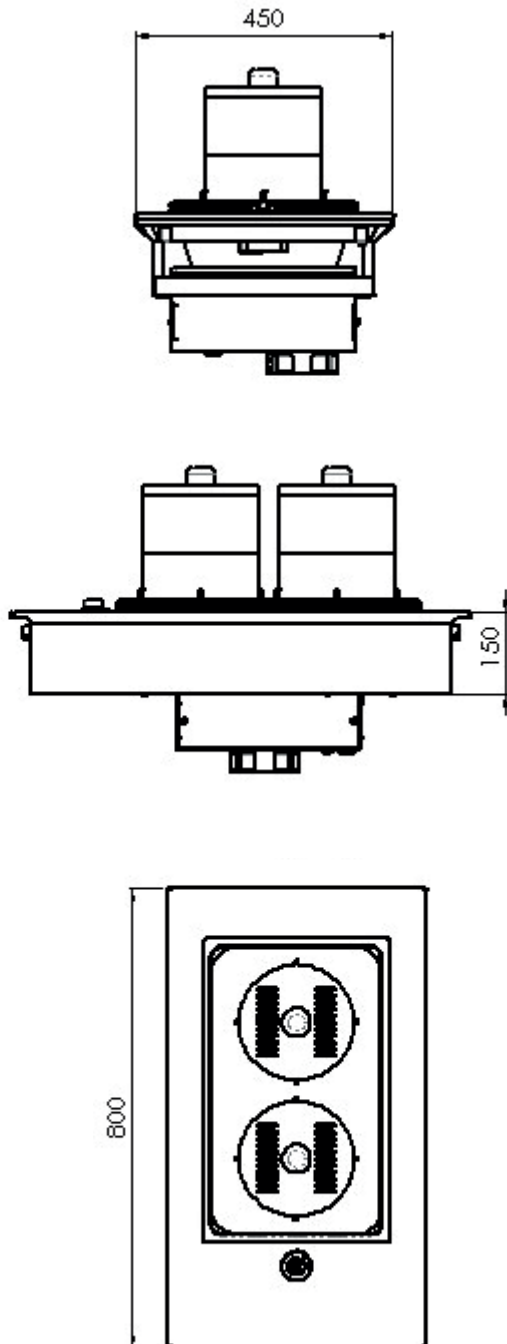


## Main Features

- This device with a power of 3,5kW inductin heat source.
- It has a voltage of 230V, a current of 13A, and operates within a frequency range of 50/60 Hz.
- The temperature range is between a minimum of 30°C and a maximum of 250°C.
- The cooking basket is made of wood bamboo material with dimensions of Ø200 mm.
- The device weighs 16 kg.
- It has a plug compatible with British or European standards, with a length of 150cm.
- Its body is made of AISI 304 stainless steel with a thickness of 2 mm.
- The dimensions of the device are 450X800X150 mm. These features indicate that the device has a powerful, durable, and practical structure.

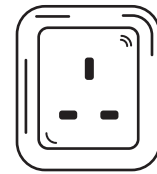


## Technical Information

Dimensions	: 450X800X150 mm
Watts	: 3.5kW
Voltage	: 230V - 13A - 50/60 Hz
Temperature	: Min: 30°C Max 250°C
Cooking Area	: Ø200 mm Wood Bamboo
Well	: AISI 304 Stainless Steel, 200 mm depth
Weight	: 17 kg
Body	: AISI 304 Stainless Steel Thickness of 2 mm
Plug Type	: UK or EU
Cable Length	: 1500 mm



**F**



**G**

