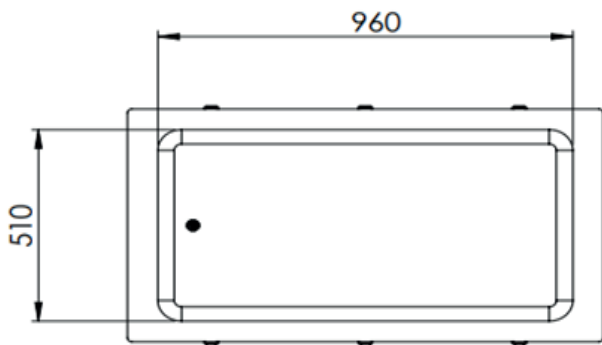
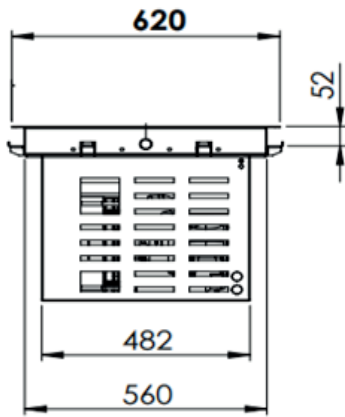
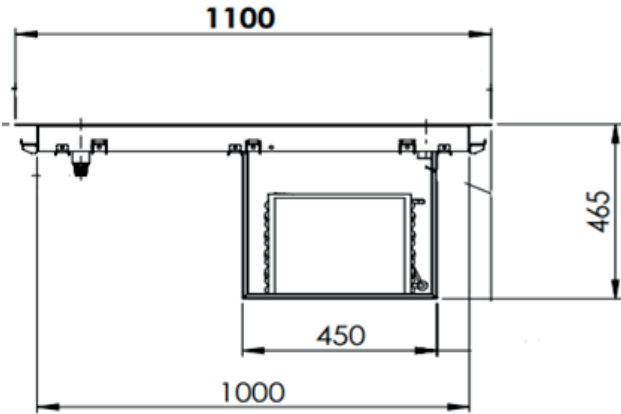




Main Features

- This device operates at a voltage of 230V and 1N phase 50/60Hz, with a power consumption of 0.47 kW.
- Cooling system operates with R290 gas and can provide temperatures down to -10°C.
- The sound level is set at 59 dBA, offering quiet operation.
- The device weighs 41 kg and has a digital control system for easy use.
- It has a plug compatible with British or European standards, with a length of 200 cm.
- Its dimensions are 465x620x1100 mm. These dimensions make it easy to place the device in the usage area and meet the need for large-volume devices.

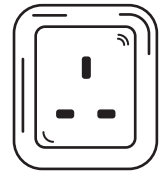


Technical Information

Dimensions : 465X620X1100 mm
 Voltage : 230 V - 1N ph - 50/60Hz
 Watts : 0.47 kW
 Cooling : - 10°C
 Sound Level : 59 dBA
 Body : AISI 304 Stainless Steel
 Thickness 2 mm
 Control : Digital Controller
 Weight : 41 kg
 Plug Type : UK or EU
 Cable Length: 2000 mm
 Gas : R290



F



G

