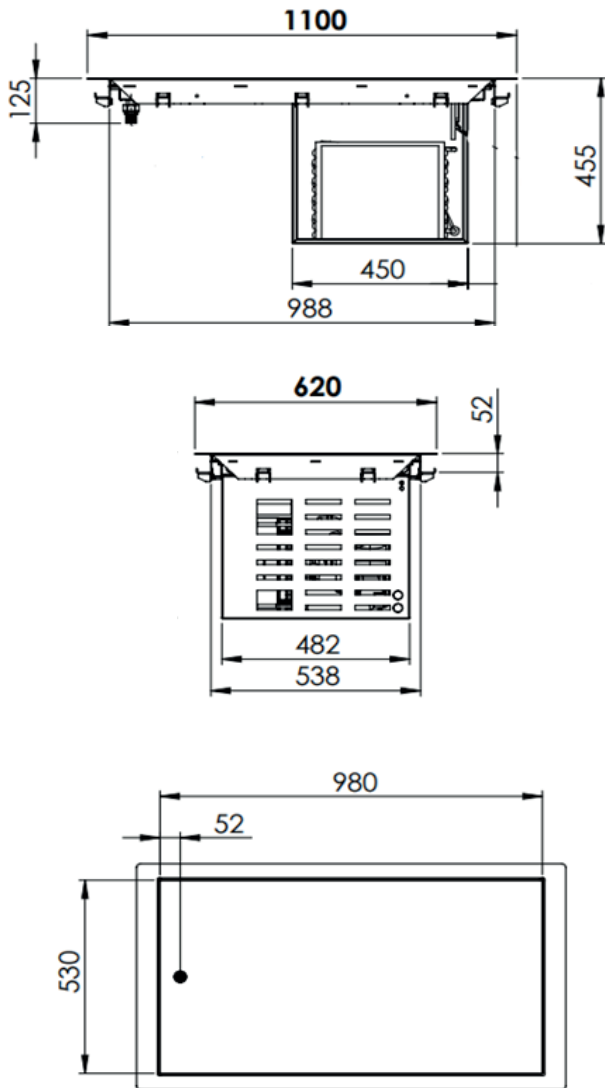




## Main Features

- This device operates at a voltage of 230V and 1N phase 50/60Hz, with a power consumption of 0.6 kW.
- Cooling system operates with R290 gas and can provide temperatures down to  $-10^{\circ}\text{C}$ .
- The sound level is set at 59 dBA, offering quiet operation.
- The device weighs 44 kg and has a digital control system for easy use.
- It has a plug compatible with British or European standards, with a length of 2000 mm.
- Its dimensions are 455x620x1100 mm. These dimensions make it easy to place the device in the usage area and adapt to medium-sized spaces.

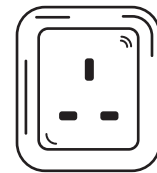


## Technical Information

Dimensions : 455X620X1100 mm  
 Voltage : 230V - 1N ph - 50/60Hz  
 Power : 0.6 kW  
 Gas : R290  
 Temperature: - 10°C  
 Sound Level : 50 dBA  
 Weight : 44 kg  
 Control : Digital Controller  
 Plug Type : UK or EU  
 Cable Length: 2000 mm



**F**



**G**

