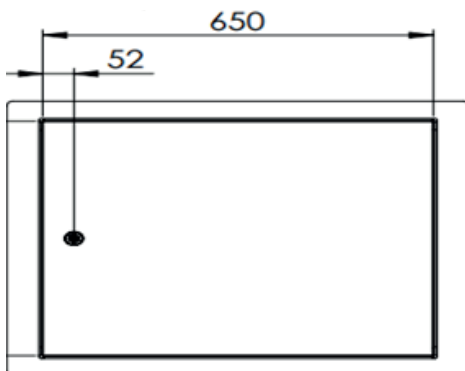
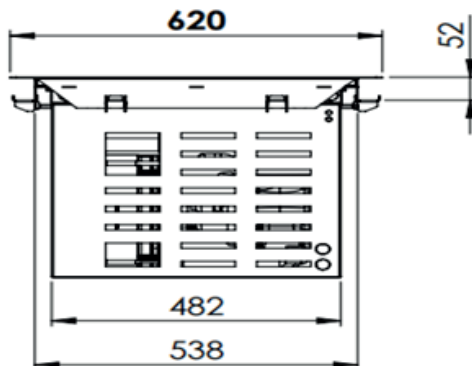
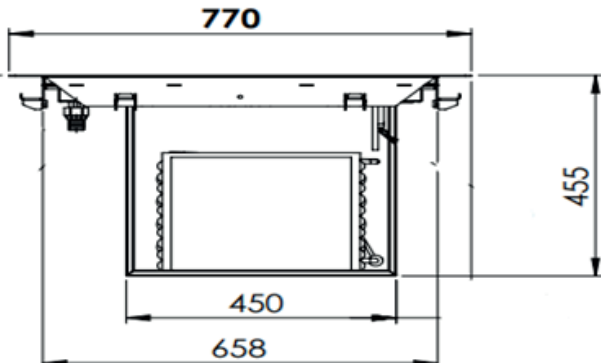




## Main Features

- This device operates at a voltage of 230V and 1N phase 50/60Hz, with a power consumption of 0.46 kW.
- Cooling system operates with R290 gas and can provide temperatures down to -10°C.
- The sound level is set at 59 dBA, offering quiet operation.
- The device weighs 38 kg and has a digital control system for easy use.
- It has a plug compatible with British or European standards, with a length of 2000 mm.
- Its dimensions are 455x620x770 mm. These dimensions make it easy to place the device in the usage area and adapt to medium-sized spaces.

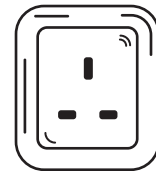
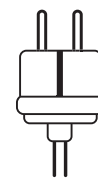


## Technical Information

Dimensions : 455X620X770 mm  
 Voltage : 230V - 1N ph - 50/60Hz  
 Power : 0.46 kW  
 Temperature: - 10°C  
 Sound Level : 59 dBA  
 Weight : 38 kg  
 Control : Digital Controller  
 Plug Type : UK or EU  
 Cable Length: 2000 mm  
 Gas : R290



**F**



**G**

