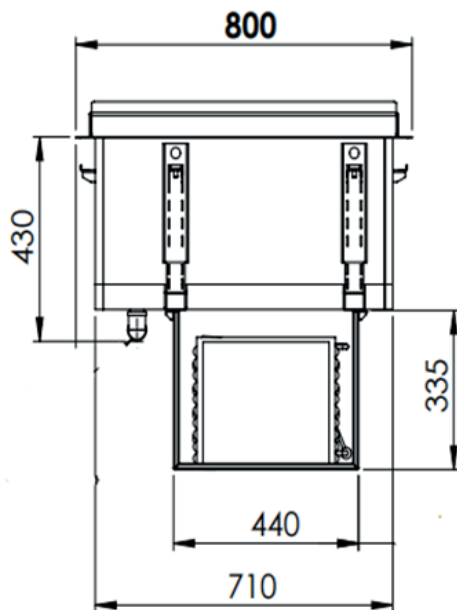
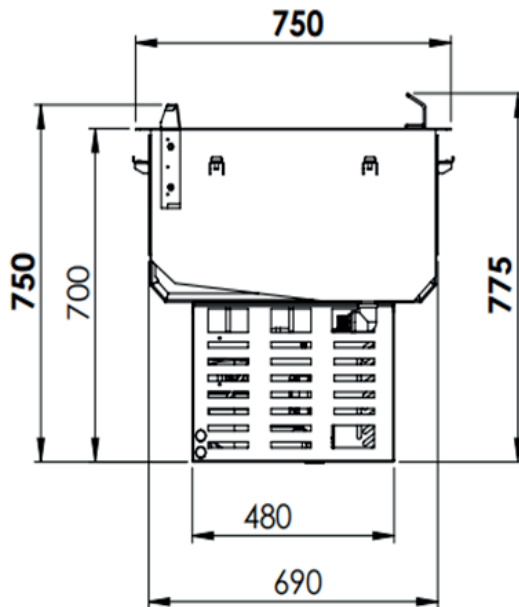




Main Features

- This device operates at a voltage of 230V and 1N phase 50/60Hz, with a power consumption of 0.6 kW.
- Cooling system operates with R290 gas and the temperature range is between +4°C and +8°C.
- The sound level is set at 60 dBA.
- The device weighs 142 kg and features a digital control system for ease of use.
- It has a plug compatible with British or European standards, with a length of 2000 Mm.
- Its dimensions are 775x750x800 mm. These dimensions make it easy to place the device in the usage area and it is a suitable option for medium-sized businesses.

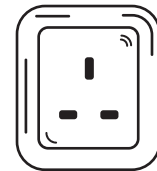
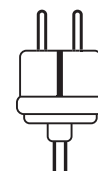


Technical Information

Dimensions : 775X750X800 mm
 Voltage : 230V - 1N ph - 50/60Hz
 Power : 0.6 kW
 Gas : R290
 Temperature: + 4 / + 8 °C
 Sound Level : 60 dBA
 Weight : 142 kg
 Control : Digital Controller
 Plug Type : UK or EU
 Cable Length: 2000 mm



F



G

