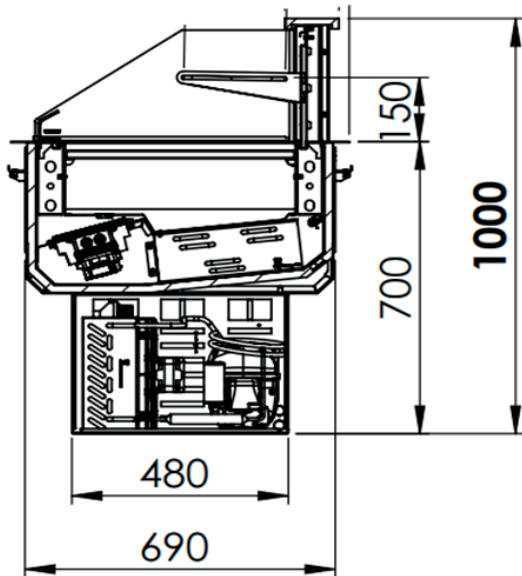
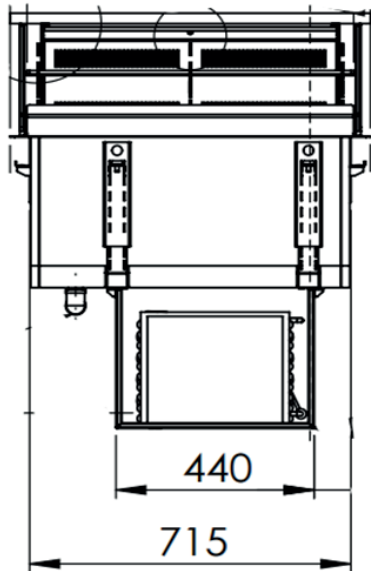




Main Features

- Bottom part of well is removable for an easier access to the evaporator.
- This device operates at a voltage of 230V and 1N ph 50/60Hz, consuming 0.6 kW of power.
- Cooling system works with R290 gas, and the temperature range is between + 4 / + 8 °C.
- Cooling from back.
- The sound level is set at 70 dBA.
- The device weighs 69 kg and has a digital control system, making it user-friendly.
- Tempered side glass.
- 2 levels to display the food.
- It has a plug compatible with British or European standards, with a length of 200 cm.
- Its dimensions are 690x715x1000 mm.
- These dimensions make it easy to place the device in the usage area and are suitable for medium-sized businesses.

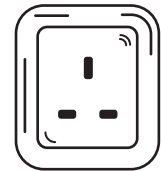
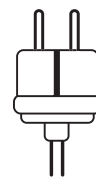


Technical Information

Dimension : 690x715x1000 mm
 Voltage : 220/240V - 1N ph - 50/60Hz
 Power : 0.6 kW
 Gas : R290
 Temperature: + 4 / + 8 °C
 Sound Level : 70 dBA
 Weight : 69 kg
 Control : Digital Controller
 Plug Type : UK or EU
 Cable Length: 2000 mm



F



G

