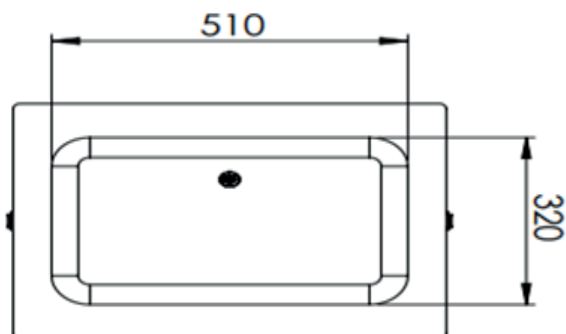
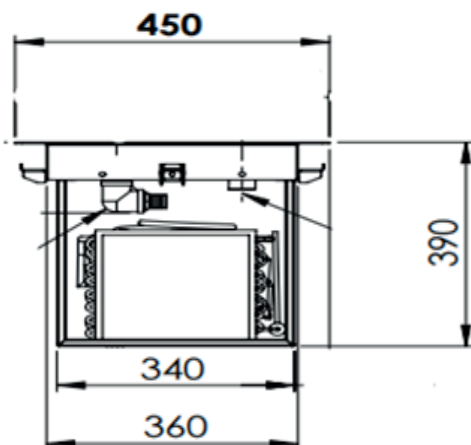
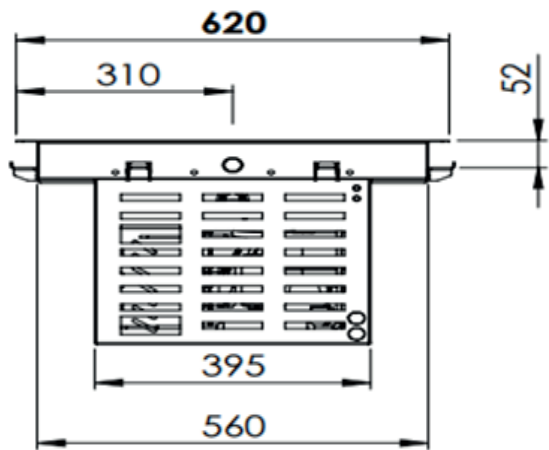




Main Features

- This device, with a voltage of 230V and 1N phase 50/60Hz, requires only 0.4 kW of energy with low power consumption.
- Cooling system operates with R290 gas and can provide temperatures down to -10°C .
- The sound level is determined as 59 dBA, offering quiet operation.
- The device weighs 30 kg and has a digital control system for easy use.
- It has a plug compatible with British or European standards, with a length of 200 cm.
- Its dimensions are 390x450x620 mm. These compact dimensions make it easy to place the device in the usage area and make it portable.

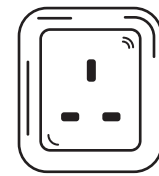


Technical Information

Dimensions	: 390X450X620 mm
Voltage	: 230V - 1N ph - 50/60Hz
Watts	: 0,4 kW
Cooling	: - 10°C
Sound Level	: 59 dBA
Body	: AISI 304 Stainless Steel
Control	: Digital Controller
Weight	: 30 kg
Plug Type	: UK or EU
Cable Length	: 200 mm
Gas	: R290



F



G

