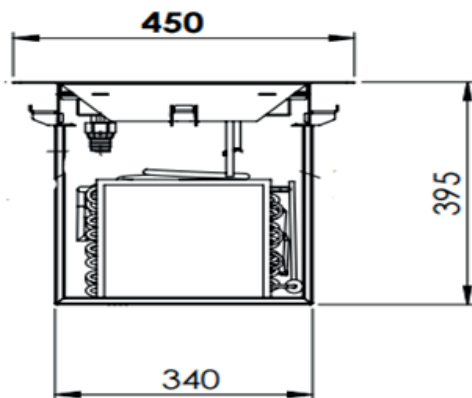
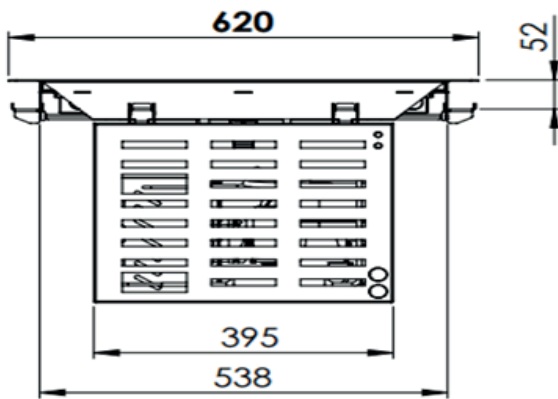
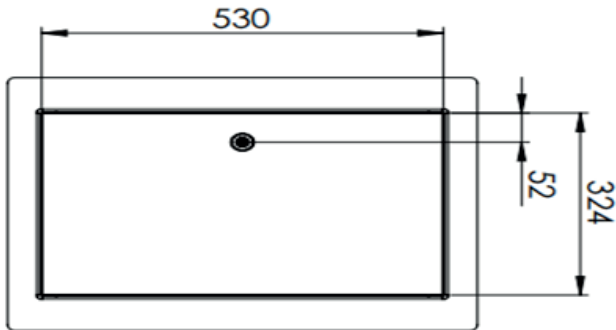




Main Features

- This device operates at a voltage of 230V and 1N phase 50/60Hz, requiring only 0.4 kW of power consumption.
- Cooling system operates with R290 gas and can provide temperatures down to -10°C .
- The sound level is set at 59 dBA, offering quiet operation.
- The device weighs 30 kg and has a digital control system for easy use.
- It has a plug compatible with British or European standards, with a length of 2000 mm.
- Its dimensions are 395x450x620 mm. These compact dimensions make it easy to place the device in the usage area and make it practical to carry around.

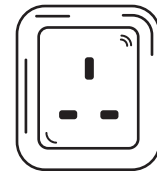
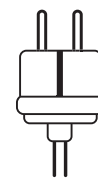


Technical Information

Dimensions : 395X450X620 mm
 Voltage : 230V - 1N ph - 50/60Hz
 Power : 0.4 kW
 Gas : R290
 Temperature: - 10°C
 Sound Level : 59 dBA
 Weight : 30 kg
 Control : Digital Controller
 Plug Type : UK or EU
 Cable Length: 2000 mm



F



G

