

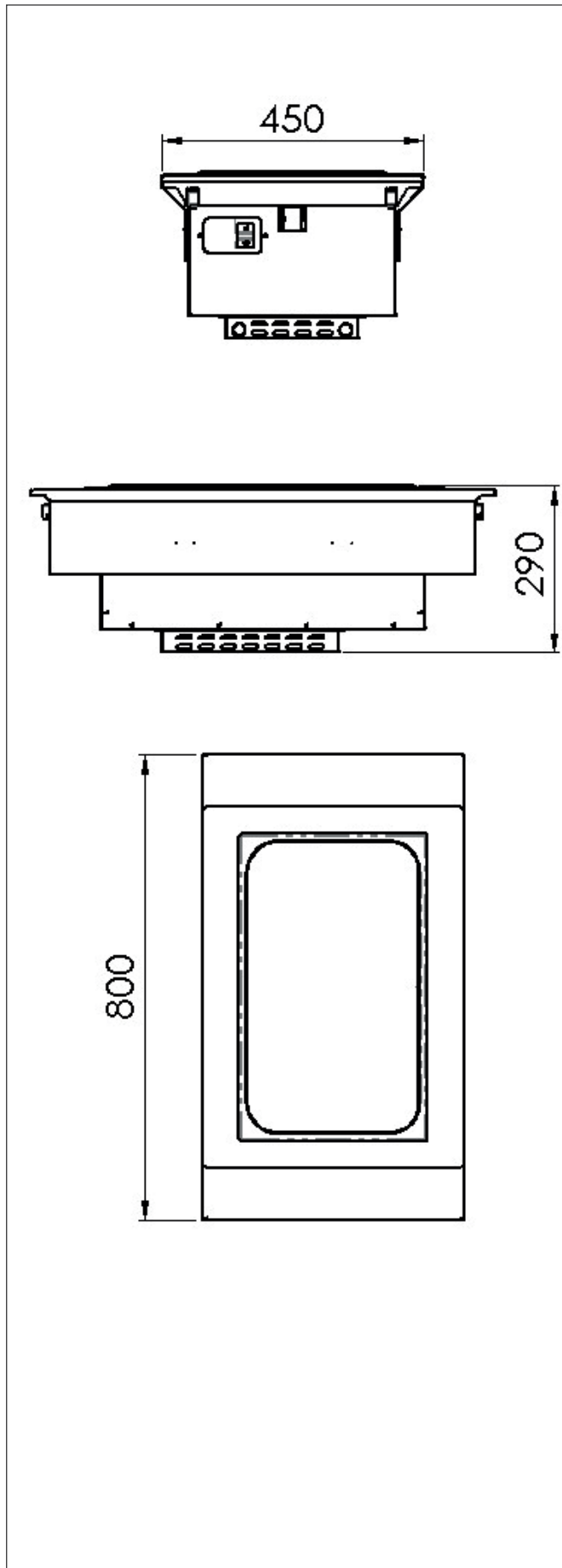


Main Features

- It operates within a voltage range of 230V and 50/60Hz AC
- The power is 1 kW. It can operate within a wide range of heating capacity up to +90°C.
- The noise level is set at 59 dBA.

Structural Features

- The body is made of high-quality AISI 304 stainless steel with a thickness of 2 mm.
- The control system is provided digitally. The device weighs 17 kg.
- It has a plug compatible with British or European standards, with a length of 2000 mm.
- The dimensions are 450x800x290 mm. Its compact size makes it easy to use and practical to transport.

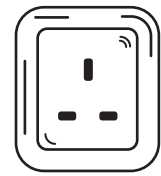
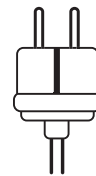


Technical Information

Dimensions : 450x800x290 mm
Voltage : 230 V - 50/60Hz / AC
Watts : 1 kW
Heating : + 90°C
Sound Level : 59 dBA
Body : AISI 304 Stainless Steel
Thickness 2 mm
Control : Digital Controller
Weight : 17 kg
Plug Type : UK or EU
Cable Length : 2000 mm



F



G

